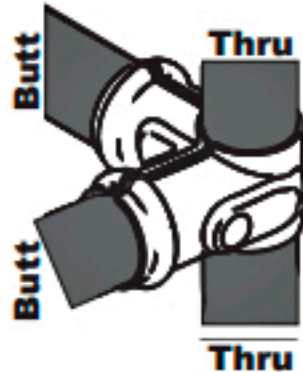


CHAINWIRE HARDWARE IS AVAILABLE IN BLACK POWDER COAT

CONDITIONS APPLY

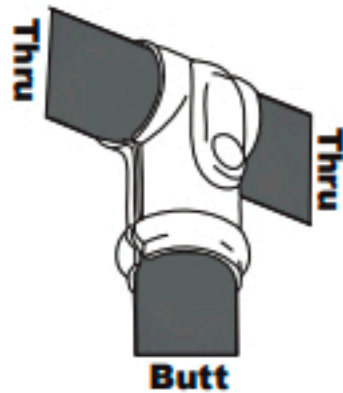
Corner - Galvanised



Code	Butt/Thru (NB)	Ctn
C2020	20/20	40
C2525	25/25	30
C2532	25/32	20
C2540	25/40	20
C2550	25/50	20
C3232	32/32	20
C3240	32/40	10
C3250	32/50	10
C4040	40/40	10
C4050	40/50	10
C5050	50/50	5

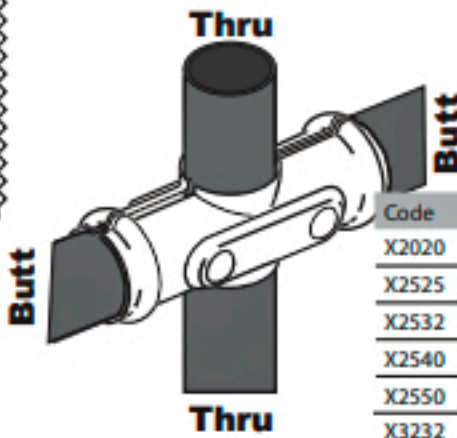
• Bolts and nuts included

Tee - Galvanised



Code	Thru/Butt (NB)	Ctn
T1515	15/15	150
T2020	20/20	100
T2025	20/25	80
T2525	25/25	50
T2532	25/32	40
T2540	25/40	30
T3225	32/25	40
T3232	32/32	40
T3240	32/40	20
T3250	32/50	20
T4025	40/25	40
T4032	40/32	30
T4040	40/40	20
T4050	40/50	10
T5025	50/25	30
T5032	50/32	30
T5040	50/40	20
T5050	50/50	10
T6550	65/50	10
T8025	80/25	10
T8032	80/32	10
T8040	80/40	10
T8050	80/50	10

• Bolts and nuts included



Cross - Galvanised

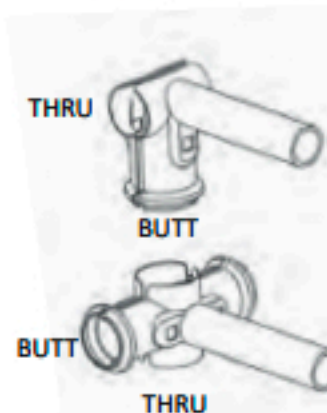
Code	Butt/Thru (NB)	Ctn
X2020	20/20	50
X2525	25/25	30
X2532	25/32	20
X2540	25/40	30
X2550	25/50	20
X3232	32/32	20
X3240	32/40	20
X3250	32/50	10
X4040	40/40	20
X4050	40/50	10
X5050	50/50	10
X5065	50/65	10

Speedee Sleeve - External Pipe Joiners - Galvanised



Code	Pipe (NB)	Length	Ctn
SS25	25	150	30
SS32	32	200	25
SS40	40	200	20
SS50	50	200	10

Spigot (Chain Mesh Cages) - Galvanised



Code	Thru/Butt	Ctn	Spigot to suit NB
T2532-SPIGOT		20	25
T3225-SPIGOT		20	25
T3240-SPIGOT		20	32
T4032-SPIGOT		20	32

Code	Butt/Thru	Ctn	Spigot to suit NB
X2532-SPIGOT		20	25
X3240-SPIGOT		20	32

• Bolts and nuts included

SPIGOTS = FASTER CAGE INSTALLS!

